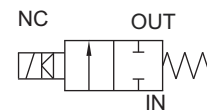


50 NB DOUBLE DIAPHRAGM, PULSE JET SOLENOID VALVE

TYPE	PRESSURE

TYPE	PRESSURE
24106	0.5 - 8.5 bar
24106A	0.5 - 8.5 bar
24106T	0.5 - 8.5 bar

TYPE	PRESSURE
24113	1.5 - 16 bar
24106ET	0.5 - 8.5 bar



FEATURES

- Pulse jet valve with two diaphragm designed for large flow, fast ON and OFF response
- Unique profile of the diaphragm eliminates Spring
- Larger exhaust area for reducing noise
- Solenoid capable of turning 360°

WETTED PARTS

Code	※	B12
Body and Internals	Aluminium Die Cast	CF8M SS316 Cast
Guide Assembly	SS 304	
Shadow-Ring	Copper	
Plunger, Insert	SS 430	
Diaphragm	Hytrel, Viton, NBR	
Fasteners	SS 304	
Seat, Seals	NBR, Viton, PTFE	

SPECIFICATION

RESPONSE TIME 25 ms
MINIMUM ELECTRICAL PULSE 40 ms

AMBIENT TEMPERATURE

-5 °C to 85 °C

FLUID TEMPERATURE

-5 °C to 85 °C

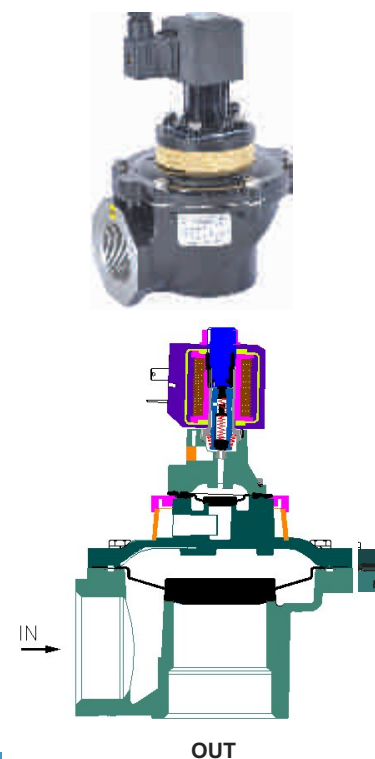
SPECIAL VERSION AND SUFFIX

Suffix : (Valve) AM
Special version : (Solenoid) CO, FR, SS

PORT CONNECTION

FUNCTION	INLET	OUTLET
NC	2	1

Contact Rotex for
• Any other ambient, fluid temperature, media and application



(Refer page 25 for ordering code)

SPARE KIT	CODE
Diaphragm Kit : Diaphragm Kit	100
Seal Kit : Oring Set, Diaphragm Kit Plunger Assembly	98
Repair Kit : Oring Set, Diaphragm Kit, Plunger Assembly, Fastener, Springs, Silencer, Guide Assembly	99
Solenoid Kit : Solenoid, Gasket and Nut	34

APPROVAL (★ applied for)

Approval	TYPE 4X, 6P	IP67	Ex d IIC T4 or T5 or T6 IP66	Ex ia IIC T6 IP67	DGMS	CCOE
		✓	✓		✓	✓
CE		✓	✓			
UL	✓		*			
			✓			
EAC			✓			
			✓			



40/ 50 NB DOUBLE DIAPHRAGM, PULSE JET SOLENOID VALVE

SPECIFICATION

PORT CONNECTION			PRE-PRESSURE bar		ORIFICE (mm)	FLOW FACTOR Kv (LPM OF WATER @ 1 bar ΔP)	VALVE TYPE	PILOT PRESSURE	BODY MATERIAL AND INTERNALS			SEALS			MANUAL OVERRIDE	SOLENOID ENCLOSURE				POWER VA			CONSTRUCTION REFERENCE NUMBER		
SIZE	BSP(F)	NPT(F)	MINIMUM	MAXIMUM					ALUMINIUM	ALUMINIUM + SS	BRASS (STD. PORT NPT)	CF8M/SS316 (STD. PORT NPT)	NBR	EPDM		HYTREL	PTFE	NIL	STAYPUT CUM MOMENTARY	MOMENTARY	FLYING LEAD	PLUG IN, IP67		SQ. PLUG IN, IP67	TERMINAL BOX IP67

INTEGRAL PILOT

1 1/2"	12G	12R	0.5	8.5	52	1100	24106	*					S0	S2	*			22	25	T	E	14			18	12	8	P7
1 1/2"	12G	12R	0.5	8.5	52	1100	24106T	*					S0	S2	*			22	25	T	E	14			18	12	8	P7
1 1/2"	12G	12R	0.5	8.5	52	1100	24106A	*		B12			S0	S2	*			22	25	T	E	14			18	12	8	P7
1 1/2"	12G		1.5	16	52	1100	24113	*					S0	S2	*			22	25	T	E	14			18	12	8	P7
2"	16G	16R	0.5	8.5	52	1300	24106	*		B12			S0	S2	*			22	25	T	E	14			18	12	8	P7
2"	16G		0.5	8.5	65	1800	24106	*					S0	S2	*			22	25	T	E	14			18	12	8	P7
2 1/2"	20G	20R	0.5	8.5	65	2000	24106	*					S0	S2	*			22	25	T	E	14			18	12	8	P7
3"	24G	24R	0.5	8.5	80	2800	24106	*					S0	S2	*			22	25	T	E	14			18	12	8	P7
1 1/2"	12G	12R	0.5	8.5	52	1100	24106ET	*					S8					22	25	T	E	14			18	12	8	P7
1 1/2"	12G		0.5	8.5	52	1100	24106AET	*		B12			S8					22	25	T	E	14			18	12	8	P7
2"	16G	16R	0.5	8.5	52	1300	24106ET	*		B12			S8					22	25	T	E	14			18	12	8	P7
2"	16G		0.5	8.5	65	1800	24106ET	*					S8					22	25	T	E	14			18	12	8	P7
2 1/2"	20G	20R	0.5	8.5	65	2000	24106ET	*					S8					22	25	T	E	14			18	12	8	P7
3"	24G	24R	0.5	8.5	80	2800	24106ET	*					S8					22	25	T	E	14			18	12	8	P7

Cable Entry	T	ÖzA	E	ÖzA	ä
M20 x 1.5	FJ	HU	iiTÜ	iiTÜ	iiSVTÜ
M25 x 1.5		ii	ii	ii	iiSV
1/2" NPT	FJ	H	iiTÜ	iiTÜ	iiSVTÜ

* = Do not specify when opted for. Refer Page # 22 for Value of *

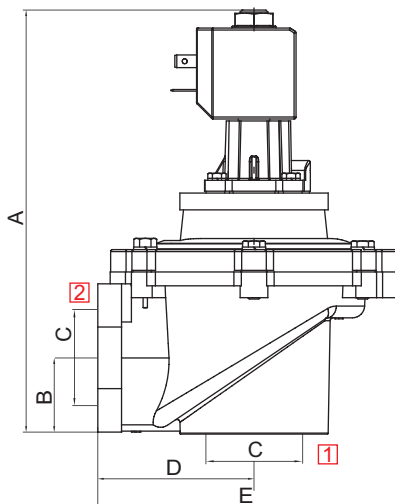
ORDERING CODE, EXAMPLE VALVE + SOLENOID

TYPE - ORIFICE - PORT CONNECTION - BODY AND INTERNALS - SEAL +
 VOLTAGE - CURRENT - SOLENOID ENCLOSURE - POWER - INSULATION - APPROVAL
 e.g. 24106-65-16G+I-230V-50Hz-16, 24106ET-65-16G-S8+I-230V-50Hz-16-H

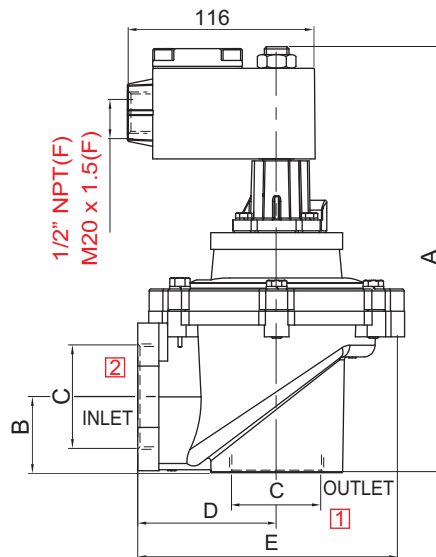
DIMENSIONS

All Dimensions are in mm

CONSTRUCTION REFERENCE P7



PLUG IN SOLENOID TYPE 22



TERMINAL BOX/ Ex d TYPE 16, 19, 37, 39, 58, 58LT

VALVE TYPE	NW	PIPE CONN.	A	B	C	D	E
24106	52	1 1/2"	209	38.5	11/2"	79	151.5
24106T	52	1 1/2"	209	38.5	11/2"	79	151.5
24106	52	2"	220	38.5	2"	79	151.5
24106A	52	1 1/2"	202	32.5	11/2"	72	144.5
24106	65	2"	236	45	2"	96	180
24106	65	2 1/2"	236	45	2 1/2"	96	180
24113	52	1 1/2"	209	38.5	11/2"	79	151.5
24106ET	52	1 1/2"	209	38.5	11/2"	79	151.5
24106ET	52	2"	220	38.5	2"	79	151.5
24106AET	52	1 1/2"	202	32.5	11/2"	72	144.5
24106ET	65	2"	236	45	2"	96	180
24106ET	65	2 1/2"	236	45	2 1/2"	96	180
24106	80	3"	271	52.5	3"	105	205